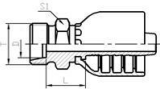
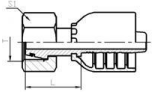
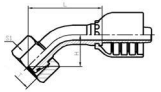
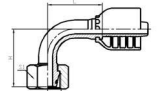
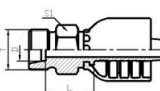
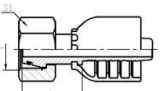
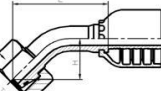
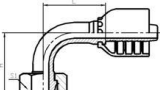
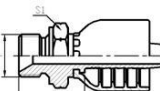
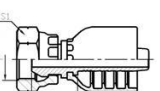
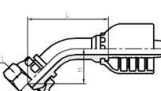
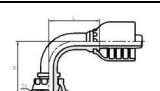
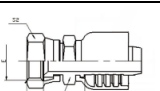
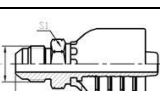
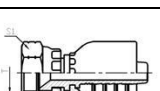
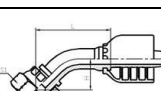
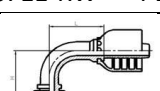

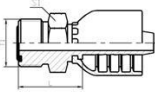
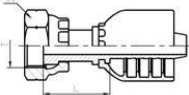
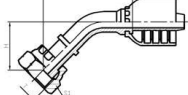
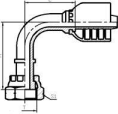
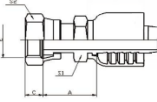
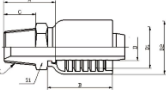
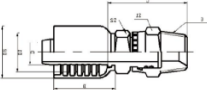
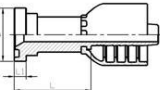
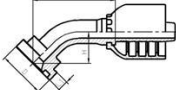
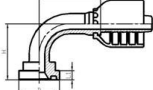
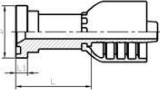
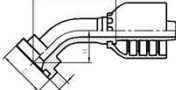
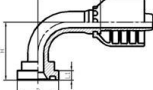
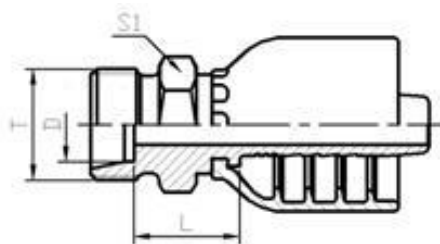


目录 Catalogue

Metric Fittings DKO-L	 10411-RW P3	 20411-TRW P4	 20441-TRW P5
	 20491-TRW P6		
Metric Fittings DKO-S	 10511-RW P7	 20511-TRW P8	 20541-TRW P9
	 20591-TRW P10		
BSP Fittings	 12611A-RW P11	 22611-RW P12	 22641-RW P13
	 22691-RW P14	 22611D-RW P15	
American Fittings JIC 74° Cone	 16711-RW P16	 26711-RW P17	 26741-RW P18
	 26791-RW P19	 26711D-RW P20	

American Fittings ORFS Flat Seat	 14211-RW P21	 24211-RW P22	 24291-RW P23
	 24291-RW P24	 24211D-RW P25	
American Fittings NPTF Male	 15611-RW P26	 15611SW-RW P27	
SAE Flange 3000Psi	 87311-RW P28	 87341-RW P29	 87391-RW P30
SAE Flange 6000Psi	 87611-RW P31	 87641-RW P32	 87691-RW P33

**10411-RW**

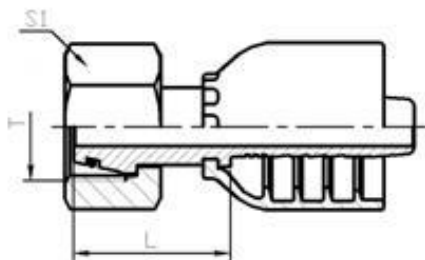
公制外螺纹 24°内锥面轻系列

METRIC MALE 24° CONE SEAT L.T. ISO 84341-1—DIN3861

代号 PART NO.	螺纹 T THREAD T	软管 HOE BORE		管子外径 TUBE OD	尺寸 DIMENSION		
		公称内径 DN	标号 DASH		L	D	S1
10411-12-04RW	M12X1.5	6	4	6	20.5	6	14
10411-14-04RW	M14X1.5	6	4	8	20.5	8	17
10411-14-05RW	M14X1.5	8	5	8	21.5	8	17
10411-16-04RW	M16X1.5	6	4	10	22.5	10	17
10411-16-05RW	M16X1.5	8	5	10	22.5	10	17
10411-16-06RW	M16X1.5	10	6	10	23.5	10	17
10411-18-05RW	M18X1.5	8	5	12	23.5	12	19
10411-18-06RW	M18X1.5	10	6	12	23.5	12	19
10411-22-06RW	M22X1.5	10	6	15	24.5	15	22
10411-22-08RW	M22X1.5	13	8	15	25	15	24
10411-26-08RW	M26X1.5	13	8	18	26.5	18	27
10411-26-10RW	M26X1.5	16	10	18	27	18	27
10411-30-10RW	M30X2	16	10	22	30	22	32
10411-30-12RW	M30X2	19	12	22	30	22	32
10411-36-16RW	M36X2	25	16	28	33	28	41
10411-45-20RW	M45X2	32	20	35	38	35	46
10411-52-24RW	M52X2	38	24	42	38.5	42	55

注：1、表中代号用于编织软管。 2、如需用于缠绕软管代号改为 10412-XX-XXRW。

Note: 1. FOR USE WITH BRAIDED HOSES
2. IF USE WITH SPIRAL HOSES, HOSE FITTINGS SERIES NUMBER IS 10412-XX-XXRW.

**20411-TRW**

公制内螺纹 24°锥带 O 形圈轻系列

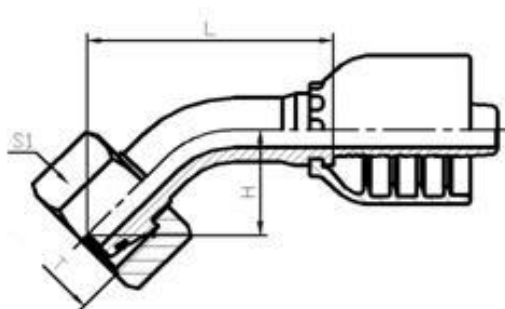
METRIC FEMALE 24° CONE O-RING L.T. ISO 12151-2-DIN 3865

代号 PART NO.	螺纹 T THREAD T	软管 HOE BORE		管子直径 TUBE OD	尺寸 DIMENSION	
		公称内径 DN	标号 DASH		L	S1
20411-14-04TRW	M14X1.5	6	4	8	23.5	17
20411-16-04TRW	M16X1.5	6	4	10	20.5	19
20411-16-05TRW	M16X1.5	8	5	10	25.5	19
20411-18-05TRW	M18X1.5	8	5	12	23.5	22
20411-18-06TRW	M18X1.5	10	6	12	26.5	22
20411-22-08TRW	M22X1.5	13	8	15	28.5	27
20411-26-08TRW	M26X1.5	13	8	18	30	32
20411-26-10TRW	M26X1.5	16	10	18	32	32
20411-30-10TRW	M30X2	16	10	22	32.5	36
20411-30-12TRW	M30X2	19	12	22	33.5	36
20411-36-12TRW	M36X2	19	12	28	35	41
20411-36-16TRW	M36X2	25	16	28	36	41
20411-45-16TRW	M45X2	25	16	35	34	50
20411-45-20TRW	M45X2	32	20	35	35	50
20411-52-20TRW	M52X2	32	20	42	38	60
20411-52-24TRW	M52X2	38	24	42	38	60

注：1、表中代号用于编织软管。 2、如需用于缠绕软管代号改为 20412-XX-XXTRW。

Note:

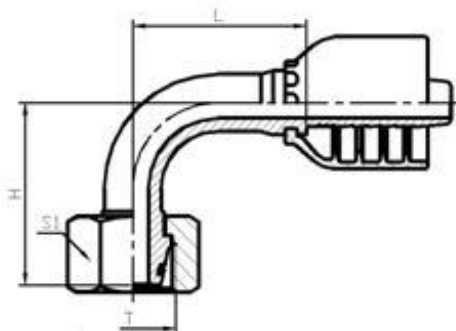
1. FOR USE WITH BRAIDED HOSES
2. IF USE WITH SPIRAL HOSES, HOSE FITTINGS SERIES NUMBER IS 20412--XX-XXTRW.

**20441-TRW**

45°弯公制内螺纹 24°锥带 O 形圈轻系列

45°ELBOW METRIC FEMALE 24°CONE O-RING L.T. ISO 12151-2-DIN 3865

代号 PART NO.	螺纹 T THREAD T	软管 HOE BORE		管子直径 TUBE OD	尺寸 DIMENSION		
		公称内径 DN	标号 DASH		L	H	S1
20441-14-04TRW	M14X1.5	6	4	8	41.7	17.9	17
20441-16-04TRW	M16X1.5	6	4	10	39	19	19
20441-16-05TRW	M16X1.5	8	5	10	42	18	19
20441-18-05TRW	M18X1.5	8	5	12	46	22	22
20441-18-06TRW	M18X1.5	10	6	12	47.5	21.5	22
20441-22-08TRW	M22X1.5	13	8	15	56	24.6	27
20441-26-08TRW	M26X1.5	13	8	18	60.5	27.9	32
20441-26-10TRW	M26X1.5	16	10	18	68	28.8	32
20441-30-10TRW	M30X2	16	10	22	68	28.5	36
20441-30-12TRW	M30X2	19	12	22	72.8	30.2	36
20441-36-12TRW	M36X2	19	12	28	74.3	31.6	41
20441-36-16TRW	M36X2	25	16	28	83.6	34.2	41
20411-45-16TRW	M45X2	25	16	35	84	34.6	50
20411-45-20TRW	M45X2	32	20	35	99.8	39.1	50
20441-52-20TRW	M52X2	32	20	42	100.9	40.1	60
20441-52-24TRW	M52X2	38	24	42	115	45.3	60
注：1、表中代号用于编织软管。 2、如需用于缠绕软管代号改为 20442-XX-XXTRW。							
Note: 1. FOR USE WITH BRAIDED HOSES							
2. IF USE WITH SPIRAL HOSES, HOSE FITTINGS SERIES NUMBER IS 20442--XX-XXTRW.							

**20491-TRW**

90°弯公制内螺纹 24°锥带 O 形圈轻系列

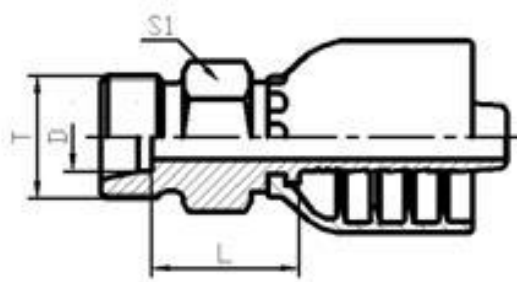
90°ELBOW METRIC FEMALE 24°CONE O-RING L.T. ISO 12151-2-DIN 3865

代号	螺纹 T	软管 HOE BORE		管子直径	尺寸 DIMENSION		
PART NO.	THREAD T	公称内径 DN	标号 DASH	TUBE OD	L	H	S1
20491-14-04TRW	M14X1.5	6	4	8	32	33.5	17
20491-16-04TRW	M16X1.5	6	4	10	27.5	29	19
20491-16-05TRW	M16X1.5	8	5	10	32.5	34.5	19
20491-18-05TRW	M18X1.5	8	5	12	33	40	22
20491-18-06TRW	M18X1.5	10	6	12	36.5	41	22
20491-22-08TRW	M22X1.5	13	8	15	44.5	48	27
20491-26-08TRW	M26X1.5	13	8	18	43.5	52	32
20491-26-10TRW	M26X1.5	16	10	18	55	56.5	32
20491-30-10TRW	M30X2	16	10	22	55	56	36
20491-30-12TRW	M30X2	19	12	22	62	62	36
20491-36-12TRW	M36X2	19	12	28	62	64	41
20491-36-16TRW	M36X2	25	16	28	74	74	41
20491-45-16TRW	M45X2	25	16	35	74	73.5	50
20491-45-20TRW	M45X2	32	20	35	91.5	86	50
20491-52-20TRW	M52X2	32	20	42	91.5	87.5	60
20491-52-24TRW	M52X2	38	24	42	109	101	60

注：1、表中代号用于编织软管。 2、如需用于缠绕软管代号改为 20492-XX-XXTRW。

Note: 1. FOR USE WITH BRAIDED HOSES

2. IF USE WITH SPIRAL HOSES, HOSE FITTINGS SERIES NUMBER IS 20492-XX-XXTRW.

**10511-RW**

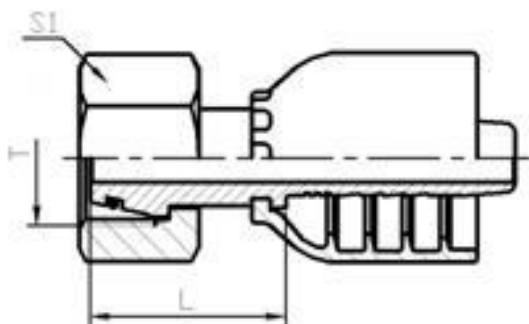
公制外螺纹 24°内锥面重系列

METRIC MALE 24° CONE SEAT H.T. ISO 84341-1—DIN3861

代号 PART NO.	螺纹 T THREAD T	软管 HOE BORE		管子外径 TUBE OD	尺寸 DIMENSION		
		公称内 径 DN	标号 DASH		L	D	S1
10511-14-04RW	M14X1.5	6	4	6	24	6	14
10511-16-04RW	M16X1.5	6	4	8	26.5	8	17
10511-18-04RW	M18X1.5	6	4	10	26.5	10	19
10511-18-06RW	M18X1.5	10	6	10	27	10	19
10511-20-05RW	M20X1.5	8	5	12	28	12	22
10511-20-06RW	M20X1.5	10	6	12	28	12	22
10511-22-06RW	M22X1.5	10	6	14	28.5	14	24
10511-24-08RW	M24X1.5	13	8	16	32	16	27
10511-30-10RW	M30X2	16	10	20	36	20	32
10511-30-12RW	M30X2	19	12	20	36	20	32
10511-36-12RW	M36X2	19	12	25	40	25	41
10511-36-16RW	M36X2	25	16	25	41	25	41
10511-42-16RW	M42X2	25	16	30	43	30	46
10511-52-20RW	M52X2	32	20	38	48	38	55

注：1、表中代号用于编织软管。 2、如需用于缠绕软管代号改为 10512-XX-XXRW。

Note: 1. FOR USE WITH BRAIDED HOSES
2. IF USE WITH SPIRAL HOSES, HOSE FITTINGS SERIES NUMBER IS 10512--XX-XXRW.

**20511-TRW**

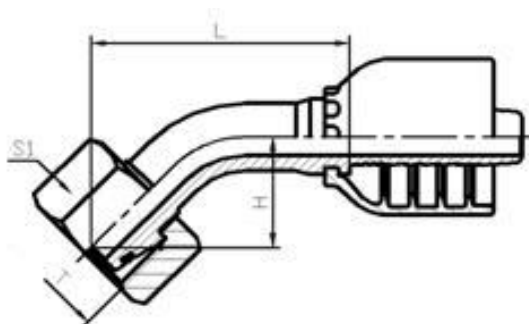
公制内螺纹 24°锥带 O 形圈重系列

METRIC FEMALE 24° CONE O-RING H.T. ISO 12151-2-DIN 3865

代号 PART NO.	螺纹 T THREAD T	软管 HOE BORE		管子直径 TUBE OD	尺寸 DIMENSION	
		公称内径 DN	标号 DASH		L	S1
20511-16-04TRW	M16X1.5	6	4	8	24	19
20511-18-04TRW	M18X1.5	6	4	10	25	22
20511-18-05TRW	M18X1.5	8	5	10	25	22
20511-18-06TRW	M18X1.5	10	6	10	25	22
20511-20-05TRW	M20X1.5	8	5	12	25.5	24
20511-20-06TRW	M20X1.5	10	6	12	28.5	24
20511-22-06TRW	M22X1.5	10	6	14	25.5	27
20511-24-08TRW	M24X1.5	13	8	16	30	30
20511-30-10TRW	M30X2	16	10	20	34	36
20511-30-12TRW	M30X2	19	12	20	35	36
20511-36-12TRW	M36X2	19	12	25	32	46
20511-36-16TRW	M36X2	25	16	25	36	46
20511-42-16TRW	M42X2	25	16	30	36	50
20511-52-20TRW	M52X2	32	20	38	36	60

注：1、表中代号用于编织软管。 2、如需用于缠绕软管代号改为 20512-XX-XXTRW。

Note: 1. FOR USE WITH BRAIDED HOSES
2. IF USE WITH SPIRAL HOSES, HOSE FITTINGS SERIES NUMBER IS 20512--XX-XXTRW.

**20541-TRW**

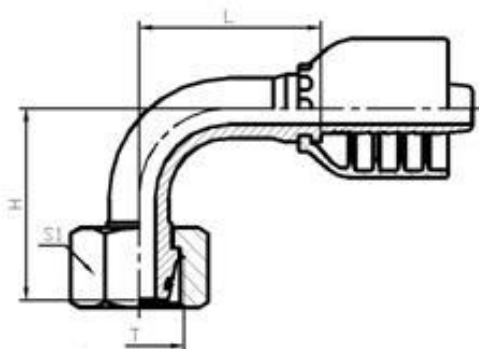
45°弯公制内螺纹 24°锥带 O 形圈重系列

45°ELBOW METRIC FEMALE 24°CONE O-RING H.T. ISO 12151-2-DIN 3865

代号 PART NO.	螺纹 T THREAD T	软管 HOE BORE		管子直径 TUBE OD	尺寸 DIMENION		
		公称内径 DN	标号 DASH		L	H	S1
20541-16-04TRW	M16X1.5	6	4	8	37	20	19
20541-18-04TRW	M18X1.5	6	4	10	43.5	19.7	22
20541-18-05TRW	M18X1.5	8	5	10	43.7	20	22
20541-18-06TRW	M18X1.5	10	6	10	48.2	22.2	22
20541-20-05TRW	M20X1.5	8	5	12	49	22.8	24
20541-20-06TRW	M20X1.5	10	6	12	50	24	24
20541-22-06TRW	M22X1.5	10	6	14	50	24	27
20541-22-08TRW	M22X1.5	13	8	14	56.6	25.4	27
20541-24-08TRW	M24X1.5	13	8	16	59	26.5	30
20541-30-10TRW	M30X2	16	10	20	69	29.6	36
20541-30-12TRW	M30X2	19	12	20	73.2	30.5	36
20541-36-12TRW	M36X2	19	12	25	73.5	30.9	46
20541-36-16TRW	M36X2	25	16	25	82.9	33.5	46
20541-42-16TRW	M42X2	25	16	30	88	35.1	50
20541-52-20TRW	M52X2	32	20	38	100	39.4	60

注：1、表中代号用于编织软管。 2、如需用于缠绕软管代号改为 20542-XX-XXTRW。

Note: 1. FOR USE WITH BRAIDED HOSES
2. IF USE WITH SPIRAL HOSES, HOSE FITTINGS SERIES NUMBER IS 20542--XX-XXTRW.

**20591-TRW**

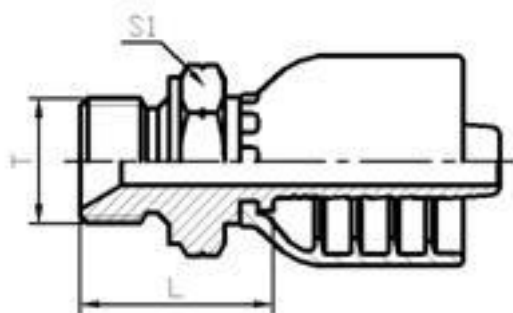
90°弯公制内螺纹 24°锥带 O 形圈重系列

90°ELBOW METRIC FEMALE 24°CONE O-RING H.T. ISO 12151-2-DIN 3865

代号 PART NO.	螺纹 T THREAD T	软管 HOE BORE		管子直径 TUBE OD	尺寸 DIMENSION		
		公称内径 DN	标号 DASH		L	H	S1
20591-16-04TRW	M16X1.5	6	4	8	30	32	19
20591-18-04TRW	M18X1.5	6	4	10	30	38	22
20591-18-05TRW	M18X1.5	8	5	10	33	38	22
20591-18-06TRW	M18X1.5	10	6	10	36.5	42	22
20591-20-05TRW	M20X1.5	8	5	12	33	42	24
20591-20-06TRW	M20X1.5	10	6	12	36.5	44	24
20591-22-06TRW	M22X1.5	10	6	14	36.5	44	27
20591-24-08TRW	M24X1.5	13	8	16	43.5	50.5	30
20591-30-10TRW	M30X2	16	10	20	55	57	36
20591-30-12TRW	M30X2	19	12	20	62	62.5	36
20591-36-12TRW	M36X2	19	12	25	62	63	46
20591-36-16TRW	M36X2	25	16	25	74	72	46
20591-42-16TRW	M42X2	25	16	30	74	74	50
20591-52-20TRW	M52X2	32	20	38	91.5	86.5	60

注：1、表中代号用于编织软管。 2、如需用于缠绕软管代号改为 20592-XX-XXTRW。

Note: 1. FOR USE WITH BRAIDED HOSES
2. IF USE WITH SPIRAL HOSES, HOSE FITTINGS SERIES NUMBER IS 20592--XX-XXTRW.

**12611A-RW**

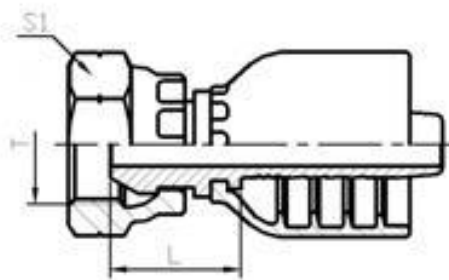
英管外螺纹 60°内锥面或六角端面组合垫密封的双用接头

BSP MALE DOUBLE USE FOR 60° CONE SEAT OR BONDED SEAL

代号 PART NO.	螺纹 T THREAD T	软管 HOE BORE		尺寸 DIMENSION	
		公称内径 DN	标号 DASH	L	S1
12611A-04-04RW	G1/4 " X19	6	4	25.5	19
12611A-06-05RW	G3/8 " X19	8	5	26.5	22
12611A-06-06RW	G3/8 " X19	10	6	26.5	22
12611A-06-08RW	G3/8 " X19	13	8	28	22
12611A-08-06RW	G1/2 " X14	10	6	32	27
12611A-08-08RW	G1/2 " X14	13	8	33	27
12611A-08-10RW	G1/2 " X14	16	10	34	27
12611A-10-08RW	G5/8 " X14	13	8	36	30
12611A-10-10RW	G5/8 " X14	16	10	37	30
12611A-12-08RW	G3/4 " X14	13	8	35.5	32
12611A-12-10RW	G3/4 " X14	16	10	37	32
12611A-12-12RW	G3/4 " X14	19	12	37	32
12611A-16-12RW	G1 " X14	19	12	41	41
12611A-16-16RW	G1 " X14	25	16	42	41
12611A-20-16RW	G1.1/4 " X11	25	16	45	50
12611A-20-20RW	G1.1/4 " X11	32	20	45	50
12611A-24-20RW	G1.1/2 " X11	32	20	49	55
12611A-24-24RW	G1.1/2 " X11	38	24	49	55
12611A-32-32RW	G2 " X11	51	32	54.5	70

注: 1、表中代号用于编织软管。 2、如需用于缠绕软管代号改为 12612A-XX-XXRW。

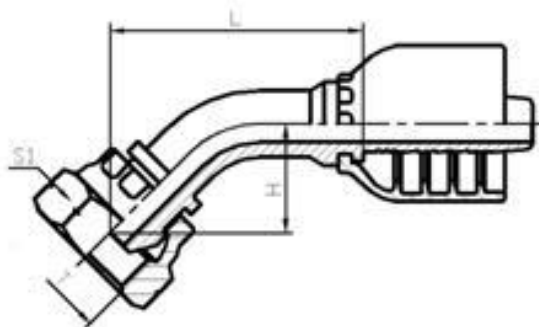
Note: 1. FOR USE WITH BRAIDED HOSES
2. IF USE WITH SPIRAL HOSES, HOSE FITTINGS SERIES NUMBER IS 12612A-XX-XXRW.

**22611-RW**

英管内螺纹 60°外锥面

BSP FEMALE 60°CONE

代号	螺纹 T	软管 HOE BORE		尺寸 DIMENSION	
PART NO.	THREAD T	公称内径 DN	标号 DASH	L	S1
22611-02-04RW	G1/8 " X28	6	4	17.5	14
22611-04-04RW	G1/4 " X19	6	4	19	19
22611-04-05RW	G1/4 " X19	8	5	19	19
22611-04-06RW	G1/4 " X19	10	6	19	19
22611-06-04RW	G3/8 " X19	6	4	19.5	22
22611-06-05RW	G3/8 " X19	8	5	19.5	22
22611-06-06RW	G3/8 " X19	10	6	19.5	22
22611-06-08RW	G3/8 " X19	13	8	20	22
22611-08-08RW	G1/2 " X14	13	8	22	27
22611-10-08RW	G5/8 " X14	13	8	22	30
22611-10-10RW	G5/8 " X14	16	10	23	30
22611-12-10RW	G3/4 " X14	16	10	24	32
22611-12-12RW	G3/4 " X14	19	12	24	32
22611-16-14RW	G1 " X11	22	14	25	41
22611-16-16RW	G1 " X11	25	16	26	41
22611-20-20RW	G1.1/4 " X11	32	20	31.5	50
22611-24-24RW	G1.1/2 " X11	38	24	32	55
22611-32-32RW	G2 " X11	51	32	34	70
注：1、表中代号用于编织软管。 2、如需用于缠绕软管代号改为 22612-XX-XXRW。					
Note: 1. FOR USE WITH BRAIDED HOSES					
2. IF USE WITH SPIRAL HOSES, HOSE FITTINGS SERIES NUMBER IS 22612-XX-XXRW.					

**22641-RW**

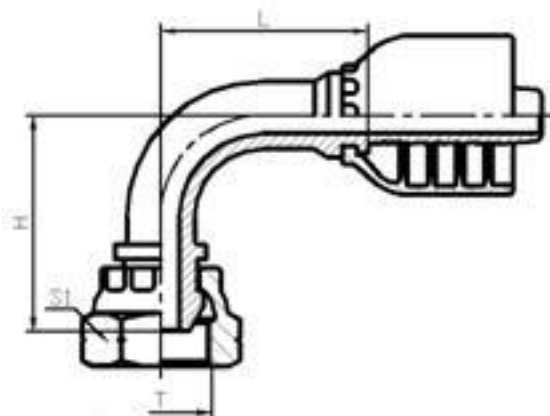
45°弯英管内螺纹 60°外锥面

45°ELBOW BSP FEMALE 60°CONE

代号	螺纹 T	软管 HOE BORE		尺寸 DIMENSION		
PART NO.	THREAD T	公称内径 DN	标号 DASH	L	H	S1
22641-04-04RW	G1/4 " X19	6	4	42.4	18.6	19
22641-04-05RW	G1/4 " X19	8	5	42.6	18.9	19
22641-06-04RW	G3/8 " X19	6	4	42.7	19	22
22641-06-05RW	G3/8 " X19	8	5	43	19.2	22
22641-06-06RW	G3/8 " X19	10	6	47.5	21.5	22
22641-06-08RW	G3/8 " X19	13	8	55.5	24.3	22
22641-08-08RW	G1/2 " X14	13	8	57	25.7	27
22641-10-08RW	G5/8 " X14	13	8	57.7	26.4	30
22641-10-10RW	G5/8 " X14	16	10	67	27.7	30
22641-12-10RW	G3/4 " X14	16	10	68	28.8	32
22641-12-12RW	G3/4 " X14	19	12	73	30.5	32
22641-16-16RW	G1 " X11	25	16	83.3	33.8	41
22641-20-20RW	G1.1/4 " X11	32	20	100.8	40.2	50
22641-24-24RW	G1.1/2 " X11	38	24	118	48	55
22641-32-32RW	G2 " X11	51	32	136.2	56.2	70

注：1、表中代号用于编织软管。 2、如需用于缠绕软管代号改为 22642-XX-XXRW。

Note: 1. FOR USE WITH BRAIDED HOSES
2. IF USE WITH SPIRAL HOSES, HOSE FITTINGS SERIES NUMBER IS 22642-XX-XXRW.

**22691-RW**

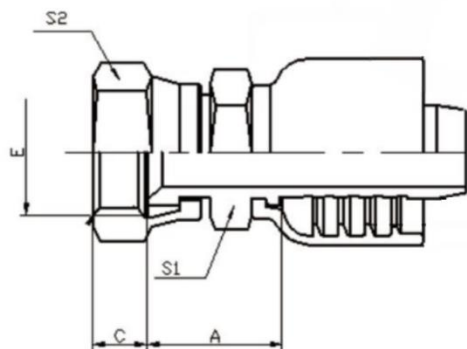
90°英管内螺纹 60°外锥面

90°ELBOW BSP FEMALE 60°CONE

代号 PART NO.	螺纹 T THREAD T	软管 HOSE BORE		尺寸 DIMENSIONS		
		公称内径 DN	标号 DASH	L	H	S1
22691-02-04RW	G1/8 " X28	6	4	32	33	14
22691-04-04RW	G1/4 " X19	6	4	32	34	19
22691-04-05RW	G1/4 " X19	8	5	32.5	35.5	19
22691-04-06RW	G1/4 " X19	10	6	36.5	40.5	19
22691-06-04RW	G3/8 " X19	6	4	32	35	22
22691-06-05RW	G3/8 " X19	8	5	32.5	36	22
22691-06-06RW	G3/8 " X19	10	6	36.5	41	22
22691-08-08RW	G1/2 " X14	13	8	44.5	50	27
22691-10-08RW	G5/8 " X14	13	8	44.5	50	30
22691-10-10RW	G5/8 " X14	16	10	55	55	30
22691-12-10RW	G3/4 " X14	16	10	55	56.5	32
22691-12-12RW	G3/4 " X14	19	12	62	62	32
22691-16-16RW	G1 " X11	25	16	74	72	41
22691-20-20RW	G1.1/4 " X11	32	20	91.5	90	50
22691-24-24RW	G1.1/2 " X11	38	24	108	105	55
22691-32-32RW	G2 " X11	51	32	129	128.5	70

注：1、表中代号用于编织软管。 2、如需用于缠绕软管代号改为 22692-XX-XXRW。

Note: 1. FOR USE WITH BRAIDED HOSES
2. IF USE WITH SPIRAL HOSES, HOSE FITTINGS SERIES NUMBER IS 22692-XX-XXRW.

**22611D-RW**

英管内螺纹 60°外锥面双六角

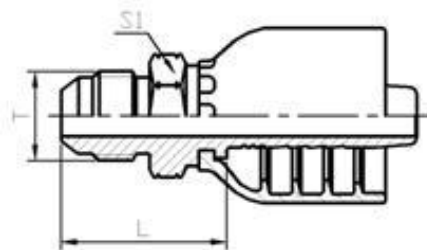
BSP FEMALE 60°CONE DOUBLE HEXAGON

代号 PART NO.	螺纹 E THREAD E	软管 HOE BORE		尺寸 DIMENSION		
		公称内径 DN	标号 DASH	A	S1	S2
22611D-04-04RW	G1/4 " X19	6	4	24.5	17	19
22611D-06-06RW	G3/8 " X19	10	6	26	19	22
22611D-08-08RW	G1/2 " X14	13	8	29	22	27
22611D-10-10RW	G5/8 " X14	16	10	30	24	30
22611D-12-12RW	G3/4 " X14	19	12	31	27	32
22611D-16-16RW	G1 " X11	25	16	38	36	41
22611D-20-20RW	G1.1/4 " X11	32	20	42	46	50

注：1、表中代号用于编织软管。 2、如需用于缠绕软管代号改为 22612D-XX-XXRW。

Note: 1. FOR USE WITH BRAIDED HOSES

2. IF USE WITH SPIRAL HOSES, HOSE FITTINGS SERIES NUMBER IS 22612D-XX-XXRW.

**16711-RW**

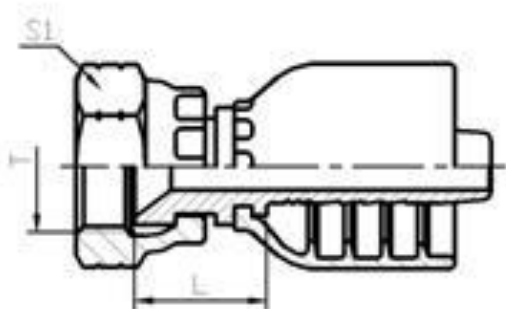
美制 JIC 外螺纹 74°外锥面

JIC MALE 74° CONE ISO 8434-2-SAE J514

代 号	螺 纹 T	软 管 HOSE BORE		尺 寸 DIMENSIONS	
		公称内径 DN	标号 DASH	L	S1
16711-04-04RW	7/16 " X20	6	4	26.5	12
16711-05-04RW	1/2 " X20	6	4	26.5	14
16711-05-05RW	1/2 " X20	8	5	26.5	14
16711-05-06RW	1/2 " X20	10	6	26.5	17
16711-06-04RW	9/16 " X18	6	4	26.5	17
16711-06-05RW	9/16 " X18	8	5	26.5	17
16711-06-06RW	9/16 " X18	10	6	26.5	17
16711-08-06RW	3/4 " X16	10	6	31	19
16711-08-08RW	3/4 " X16	13	8	31.5	19
16711-10-06RW	7/8 " X14	10	6	32	24
16711-10-08RW	7/8 " X14	13	8	34.5	24
16711-10-10RW	7/8 " X14	16	10	35.5	24
16711-12-08RW	1.1/16 " X12	13	8	39	27
16711-12-10RW	1.1/16 " X12	16	10	40	27
16711-12-12RW	1.1/16 " X12	19	12	40	27
16711-12-16RW	1.1/16 " X12	25	16	41	30
16711-14-10RW	1.3/16 " X12	16	10	40	32
16711-14-12RW	1.3/16 " X12	19	12	40.5	32
16711-16-12RW	1.5/16 " X12	19	12	42.5	36
16711-16-16RW	1.5/16 " X12	25	16	43.5	36
16711-20-16RW	1.5/8 " X12	25	16	46	46
16711-20-20RW	1.5/8 " X12	32	20	47.5	46
16711-24-20RW	1.7/8 " X12	32	20	53.5	50
16711-24-24RW	1.7/8 " X12	38	24	53	50
16711-32-32RW	2.1/2 " X12	51	32	64	65

注：1、表中代号用于编织软管。 2、如需用于缠绕软管代号改为 16712-XX-XXRW。

Note: 1. FOR USE WITH BRAIDED HOSES
2. IF USE WITH SPIRAL HOSES, HOSE FITTINGS SERIES NUMBER IS 16712-XX-XXRW.

**26711-RW**

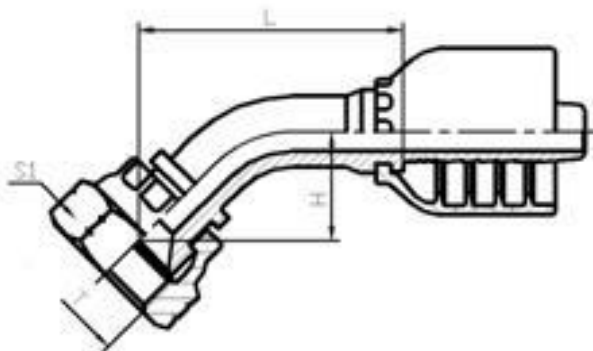
美制 JIC 内螺纹 74°内锥面

JIC FEMALE 74°CONE SEAT SAE J514

代号 PART NO.	螺纹 T THREAD T	软管 HOSE BORE		尺寸 DIMENSIONS	
		公称内径 DN	标号 DASH	L	S1
26711-04-04RW	7/16 " X20	6	4	15	14
26711-05-05RW	1/2 " X20	8	5	15.5	17
26711-06-05RW	9/16 " X18	8	5	15.5	19
26711-06-06RW	9/16 " X18	10	6	15.5	19
26711-06-08RW	9/16 " X18	13	8	16	19
26711-08-06RW	3/4 " X16	10	6	17.5	22
26711-08-08RW	3/4 " X16	13	8	18	22
26711-10-08RW	7/8 " X14	13	8	19	27
26711-10-10RW	7/8 " X14	16	10	20	27
26711-10-12RW	7/8 " X14	19	12	20	27
26711-12-10RW	1.1/16 " X12	16	10	21.5	32
26711-12-12RW	1.1/16 " X12	19	12	21.5	32
26711-14-12RW	1.3/16 " X12	19	12	21.5	36
26711-16-16RW	1.5/16 " X12	25	16	23	41
26711-20-20RW	1.5/8 " X12	32	20	26	50
26711-24-24RW	1.7/8 " X12	38	24	26.5	55
26711-32-32RW	2.1/2 " X12	51	32	27	75

注：1、表中代号用于编织软管。2、如需用于缠绕软管代号改为 26712-XX-XXRW。

Note: 1. FOR USE WITH BRAIDED HOSES
2. IF USE WITH SPIRAL HOSES, HOSE FITTINGS SERIES NUMBER IS 26712-XX-XXRW.

**26741-RW**

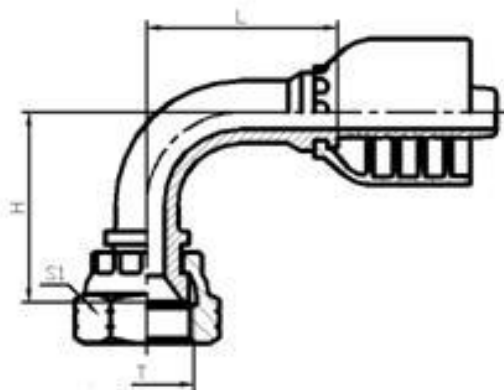
45°弯美制 JIC 内螺纹 74°内锥面

45°ELBOW JIC FEMALE 74°CONE SEAT SAE J514

代号 PART NO.	螺纹 T THREAD T	软管 HOSE BORE		尺寸 DIMENSIONS		
		公称内径 DN	标号 DASH	L	H	S1
26741-04-04RW	7/16 " X20	6	4	39	17.4	14
26741-05-05RW	1/2 " X20	8	5	40	16.5	17
26741-06-05RW	9/16 " X18	8	5	42	18.3	19
26741-06-06RW	9/16 " X18	10	6	45.5	20	19
26741-06-08RW	9/16 " X18	12	8	55	23	19
26741-08-06RW	3/4 " X16	10	6	46.5	21	22
26741-08-08RW	3/4 " X16	13	8	56	23.7	22
26741-10-08RW	7/8 " X14	13	8	56.5	24	27
26741-10-10RW	7/8 " X14	16	10	64.5	25.3	27
26741-10-12RW	7/8 " X14	20	12	71	28.5	27
26741-12-10RW	1.1/16 " X12	16	10	66.5	27.1	32
26741-12-12RW	1.1/16 " X12	19	12	73	30.2	32
26741-14-12RW	1.3/16 " X12	19	12	73	30.2	36
26741-16-16RW	1.5/16 " X12	25	16	85	32.2	41
26741-20-20RW	1.5/8 " X12	32	20	99	38.4	50
26741-24-24RW	1.7/8 " X12	38	24	113	43.9	55
26741-32-32RW	2.1/2 " X12	51	32	136.5	51.5	75

注：1、表中代号用于编织软管。 2、如需用于缠绕软管代号改为 26742-XX-XXRW。

Note: 1. FOR USE WITH BRAIDED HOSES
2. IF USE WITH SPIRAL HOSES, HOSE FITTINGS SERIES NUMBER IS 26742-XX-XXRW.

**22691-RW**

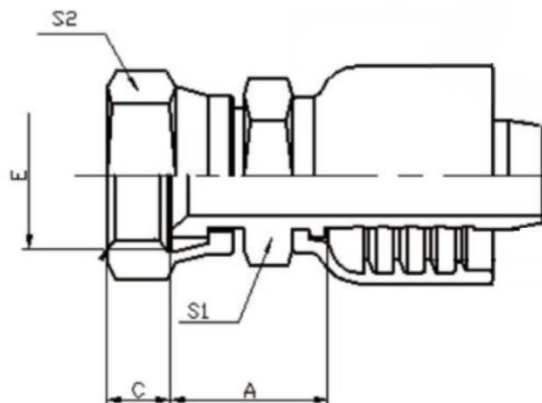
90°英管内螺纹 60°外锥面

90°ELBOW BSP FEMALE 60°CONE

代号	螺纹 T	软管 HOSE BORE		尺寸 DIMENSIONS		
PART NO.	THREAD T	公称内径 DN	标号 DASH	L	H	S1
26791-04-04RW	7/16 " X20	6	4	30	29	14
26791-05-05RW	1/2 " X20	8	5	33	33	17
26791-06-05RW	9/16 " X18	8	5	33	36.5	19
26791-06-06RW	9/16 " X18	10	6	36.5	38.5	19
26791-06-08RW	9/16 " X18	13	8	44.5	44	19
26791-08-06RW	3/4 " X16	10	6	36.5	41	22
26791-08-08RW	3/4 " X16	13	8	44	46.5	22
26791-10-08RW	7/8 " X14	13	8	44	47	27
26791-10-10RW	7/8 " X14	16	10	56	51.5	27
26791-10-12RW	7/8 " X14	19	12	62	57.5	27
26791-12-10RW	1.1/16 " X12	16	10	56	54	32
26791-12-12RW	1.1/16 " X12	19	12	57	60.5	32
26791-14-12RW	1.3/16 " X12	19	12	64	63.5	36
26791-16-16RW	1.5/16 " X12	25	16	76	72	41
26791-20-20RW	1.5/8 " X12	32	20	91.5	85	50
26791-24-24RW	1.7/8 " X12	38	24	109	100	55
26791-32-32RW	2.1/2 " X12	51	32	129	123.5	75

注：1、表中代号用于编织软管。 2、如需用于缠绕软管代号改为 26792-XX-XXRW。

Note: 1. FOR USE WITH BRAIDED HOSES
2. IF USE WITH SPIRAL HOSES, HOSE FITTINGS SERIES NUMBER IS 26792-XX-XXRW.

**26711D-RW**

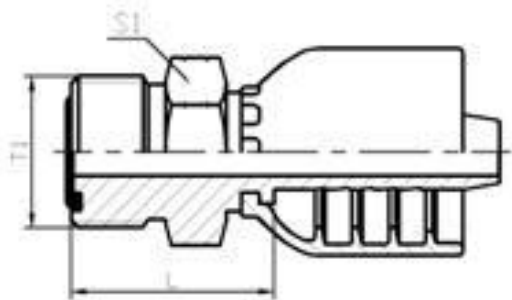
美制 JIC 内螺纹 74°内锥面双六角

JIC FEMALE 74° CONE SEAT DOUBLE HEXAGON SAE J514

代号 PART NO.	螺纹 E THREAD E	软管 HOSE BORE		尺寸 DIMENSIONS		
		公称内径 DN	标号 DASH	A	S1	S2
26711D-04-04RW	7/16 " X20	6	4	22	14	14
26711D-06-06RW	9/16 " X18	10	6	23	17	19
26711D-08-08RW	3/4 " X16	13	8	26.5	19	22
26711D-10-10RW	7/8 " X14	16	10	26.5	22	27
26711D-12-12RW	1.1/16 " X12	19	12	28.5	27	32
26711D-16-16RW	1.5/16 " X12	25	16	35	36	41
26711D-20-20RW	1.5/8 " X12	32	20	37	46	50
26711D-24-24RW	1.7/8 " X12	38	24	38	50	55
26711D-32-32RW	2.1/2 " X12	51	32	41	65	75

注：1、表中代号用于编织软管。 2、如需用于缠绕软管代号改为 26712D-XX-XXRW。

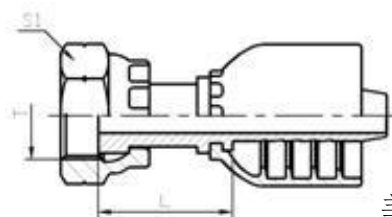
Note: 1. FOR USE WITH BRAIDED HOSES
2. IF USE WITH SPIRAL HOSES, HOSE FITTINGS SERIES NUMBER IS 26712D-XX-XXRW.

**14211-RW**

美制 ORFS 外螺纹平面 O 形圈密封

ORFS MALE O-RING SEAL ISO 8434-3—SAE J1453

代号	螺纹 T	软管 HOSE BORE		尺寸 DIMENSIONS	
PART NO.	THREAD T	公称内径 DN	标号 DASH	L	S1
14211-04-04RW	9/16 " X18	6	4	22.3	17
14211-06-04RW	11/16 " X16	6	4	23.5	19
14211-06-06RW	11/16 " X16	10	6	24	19
14211-08-06RW	13/16 " X16	10	6	27.5	22
14211-08-08RW	13/16 " X16	12	8	28.5	22
14211-08-10RW	13/16 " X16	16	10	28.5	22
14211-10-08RW	1/4 " X14	12	8	32.5	27
14211-10-10RW	1/4 " X14	16	10	33.5	27
14211-12-08RW	1.3/16 " X12	12	8	35.5	32
14211-12-10RW	1.3/16 " X12	16	10	36	32
14211-12-12RW	1.3/16 " X12	20	12	36.5	32
14211-16-12RW	1.7/16 " X12	20	12	37	38
14211-16-16RW	1.7/16 " X12	25	16	38.5	38
14211-20-20RW	1.11/16 " X12	32	20	41.5	46
14211-24-24RW	2 " X12	40	24	43	55
注：1、表中代号用于编织软管。 2、如需用于缠绕软管代号改为 14212-XX-XXRW。					
Note: 1. FOR USE WITH BRAIDED HOSES 2. IF USE WITH SPIRAL HOSES, HOSE FITTINGS SERIES NUMBER IS 14212-XX-XXRW.					

**24211-RW**

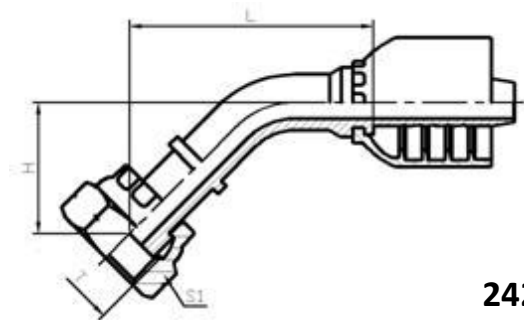
美制 ORFS 内螺纹平面

ORFS FEMALE FLAT SEAT ISO 12151-1—SAE J516

代号	螺纹 T	软管 HOSE BORE		尺寸 DIMENSIONS	
PART NO.	THREAD T	公称内径 DN	标号 DASH	L	S1
24211-04-04RW	9/16 " X18	6	4	22.5	19
24211-04-05RW	9/16 " X18	8	5	22.5	19
24211-04-06RW	9/16 " X18	10	6	22.5	19
24211-06-04TRW	11/16 " X16	6	4	22.5	22
24211-06-05TRW	11/16 " X16	8	5	23.5	22
24211-06-06RW	11/16 " X16	10	6	25.5	22
24211-06-08RW	11/16 " X16	12	8	26	22
24211-08-05TRW	11/16 " X16	8	5	25	27
24211-08-06TRW	13/16 " X16	10	6	25	27
24211-08-08RW	11/16 " X16	12	8	28	27
24211-08-10RW	13/16 " X16	16	10	29	27
24211-10-08TRW	1/4 " X14	12	8	29.5	30
24211-10-10RW	1/4 " X14	16	10	33	30
24211-10-12RW	1/4 " X14	20	12	33.5	30
24211-12-08TRW	1.3/16 " X12	12	8	30.5	36
24211-12-10TRW	1.3/16 " X12	16	10	31.5	36
24211-12-12RW	1.3/16 " X12	20	12	35	36
24211-12-16RW	1.3/16 " X12	25	16	36	36
24211-16-12TRW	1.7/16 " X12	20	12	35	41
24211-16-14TRW	1.7/16 " X12	22	14	35	41
24211-16-16TRW	1.7/16 " X12	25	16	35	41
24211-16-20RW	1.7/16 " X12	32	20	39.5	41
24211-20-16TRW	1.11/16 " X12	25	16	35	50
24211-24-20TRW	2 " X12	32	20	36.5	60
24211-24-24TRW	2 " X12	40	24	36.5	60

注：1、表中代号用于编织软管。 2、如需用于缠绕软管代号改为 24212-XX-XXRW。

Note: 1. FOR USE WITH BRAIDED HOSES
2. IF USE WITH SPIRAL HOSES, HOSE FITTINGS SERIES NUMBER IS 24212-XX-XXRW.

**24241-RW**

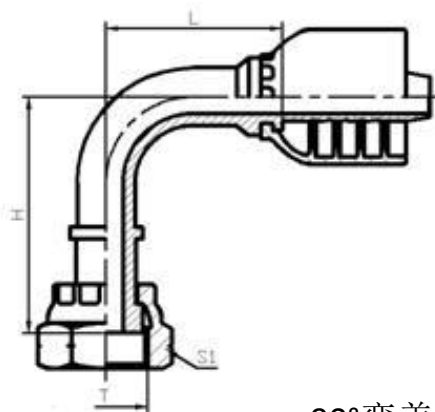
45°弯美制 ORFS 内螺纹平面

45°ELBOW ORFS FEMALE FLAT SEAT ISO 12151-1—SAE J516

代号 PART NO.	螺纹 T THREAD T	软管 HOSE BORE		尺寸 DIMENSIONS		
		公称内径 DN	标号 DASH	L	H	S1
24241-04-04RW	9/16 " X18	6	4	45	21	19
24241-04-05RW	9/16 " X18	8	5	45	21	19
24241-04-06RW	9/16 " X18	10	6	49.6	23.7	19
24241-06-04TRW	11/16 " X16	6	4	38	14.7	22
24241-06-05TRW	11/16 " X16	8	5	39.5	15.7	22
24241-06-06RW	11/16 " X16	10	6	52.8	27	22
24241-08-06TRW	13/16 " X16	10	6	44.7	18.7	27
24241-08-08RW	13/16 " X16	12	8	63.3	30.4	27
24241-08-10RW	13/16 " X16	16	10	70.8	31.6	27
24241-10-08TRW	1/4 " X14	12	8	57.5	24	30
24241-10-10RW	1/4 " X14	10	10	75	35	30
24241-12-08TRW	1.3/16 " X12	12	8	54.9	23.6	36
24241-12-10TRW	1.3/16 " X12	16	10	64.5	25	36
24241-12-12RW	1.3/16 " X12	20	12	79.5	39.5	36
24241-12-16RW	1.3/16 " X12	25	16	90	40.6	36
24241-16-12TRW	1.7/16 " X12	20	12	74	29	41
24241-16-14TRW	1.7/16 " X12	22	14	76	30	41
24241-16-16TRW	1.7/16 " X12	25	16	77.3	27.9	41
24241-20-16TRW	1.11/16 " X12	25	16	79.5	30	50
24241-24-20TRW	2 " X12	32	20	95	35	60
24241-24-24TRW	2 " X12	40	24	109	39.5	60

注：1、表中代号用于编织软管。 2、如需用于缠绕软管代号改为 24242-XX-XXRW。

Note: 1. FOR USE WITH BRAIDED HOSES
2. IF USE WITH SPIRAL HOSES, HOSE FITTINGS SERIES NUMBER IS 24242-XX-XXRW.

**24291-RW**

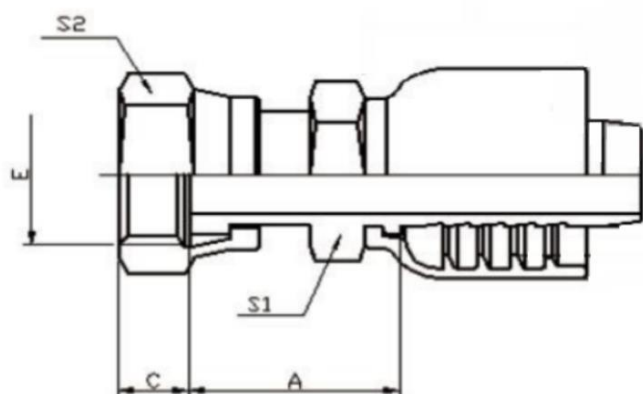
90°弯美制 ORFS 内螺纹平面

90°ELBOW ORFS FEMALE FLAT SEAT ISO 12151-1—SAE J516

代号 PART NO.	螺纹 T THREAD T	软管 HOSE BORE		尺寸 DIMENSIONS		
		公称内径 DN	标号 DASH	L	H	S1
24291-04-04RW	9/16 " X18	6	4	32	38	19
24291-04-05RW	9/16 " X18	8	5	32.5	39	19
24291-06-05TRW	11/16 " X16	8	5	33	35	22
24291-06-06RW	11/16 " X16	10	6	36.5	48	22
24291-06-08RW	13/16 " X16	12	8	43.5	53.5	22
24291-08-06TRW	13/16 " X16	10	6	36.5	37	27
24291-08-08RW	13/16 " X16	12	8	43.5	56	27
24291-08-10RW	13/16 " X16	16	10	55	60.5	27
24291-10-08TRW	1/4 " X14	12	8	43.5	46	30
24291-10-10RW	1/4 " X14	10	10	55	65	30
24291-10-12RW	1/4 " X14	12	12	60	65	30
24291-12-10TRW	1.3/16 " X12	16	10	55	51	36
24291-12-12RW	1.3/16 " X12	20	12	64	75	36
24291-12-16RW	1.3/16 " X12	25	16	74	81.5	36
24291-16-12TRW	1.7/16 " X12	20	12	64	58	41
24291-16-14TRW	1.7/16 " X12	22	14	71.2	63	41
24291-16-16TRW	1.7/16 " X12	25	16	73	66	41
24291-20-16TRW	1.11/16 " X12	25	16	74	67	50
24291-24-20TRW	2 " X12	32	20	91.5	80.5	50
24291-24-24TRW	2 " X12	40	24	109	93	60

注：1、表中代号用于编织软管。 2、如需用于缠绕软管代号改为 24292-XX-XXRW。

Note: 1. FOR USE WITH BRAIDED HOSES
2. IF USE WITH SPIRAL HOSES, HOSE FITTINGS SERIES NUMBER IS 24292-XX-XXRW.

**24211-RW**

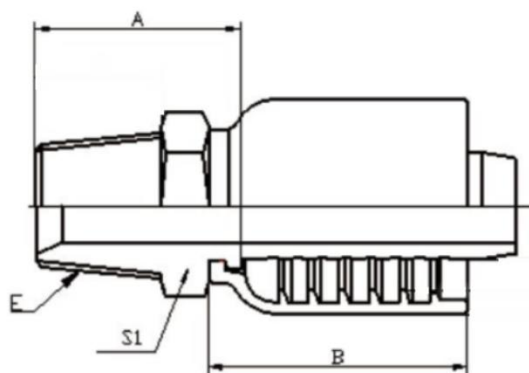
美制 ORFS 内螺纹平面双六角

ORFS FEMALE FLAT SEAT DOUBLE HEXAGON ISO 12151-1—SAE J516

代号 PART NO.	螺纹 E THREAD E	软管 HOSE BORE		尺寸 DIMENSIONS		
		公称内径 DN	标号 DASH	A	S1	S2
24211D-04-04RW	9/16 " X18	6	4	31	17	19
24211D-06-06RW	11/16 " X16	10	6	32	19	22
24211D-08-08RW	11/16 " X16	12	8	37	24	27
24211D-10-08RW	1/4 " X14	12	8	38.5	27	30
24211D-10-10RW	1/4 " X14	16	10	38.5	27	30
24211D-10-12RW	1/4 " X14	20	12	38.5	27	30
24211D-12-10RW	1.3/16 " X12	16	10	41.5	32	36
24211D-12-12RW	1.3/16 " X12	20	12	41.5	32	36
24211D-16-12RW	1.7/16 " X12	20	12	44	36	41
24211D-16-16RW	1.7/16 " X12	25	16	44.5	36	41
24211D-20-20RW	1.11/16 " X12	32	20	49	49	50

注：1、表中代号用于编织软管。 2、如需用于缠绕软管代号改为 24212-XX-XXRW。

Note: 1. FOR USE WITH BRAIDED HOSES
2. IF USE WITH SPIRAL HOSES, HOSE FITTINGS SERIES NUMBER IS 24212D-XX-XXRW.

**15611-RW**

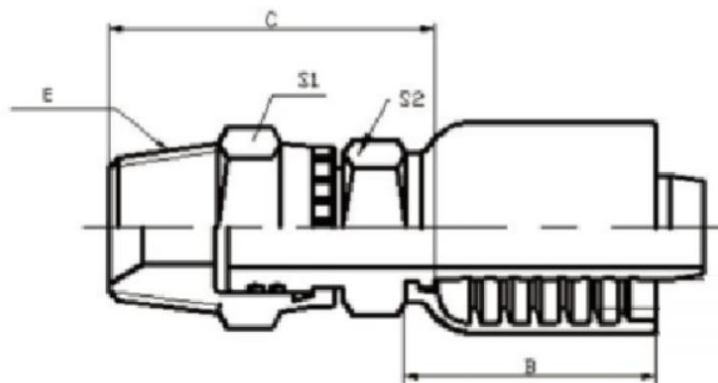
美制布锥管外螺纹

NPTF MALE

代号 PART NO.	螺纹 E THREAD E	软管 HOSE BORE		尺寸 DIMENSIONS		
		公称内径 DN	标号 DASH	A	B	S1
15611-02-04RW	NPTF 1/8"×27	6	3	24	27	14
15611-04-04RW	NPTF 1/4"×18	6	4	28	27	17
15611-06-06RW	NPTF 3/8"×18	10	6	29	34.5	19
15611-08-08RW	NPTF 1/2"×14	13	8	34.5	38	22
15611-12-10RW	NPTF 3/4"×14	19	12	36.5	43	27
15611-08-12RW	NPTF 1/2"×14	13	8	36.5	44	27
15611-12-12RW	NPTF 3/4"×14	19	12	36.5	44	27
15611-16-16RW	NPTF 1"×11.5	25	16	45	50	36
15611-20-20RW	NPTF 1.1/4"×11.5	32	20	48	60	46
15611-24-24RW	NPTF 1.1/2"×11.5	38	24	48	70	50
15611-32-32RW	NPTF 2"×11.5	51	32	52	81	65

注：1、表中代号用于编织软管。 2、如需用于缠绕软管代号改为 15612-XX-XXRW。

Note: 1. FOR USE WITH BRAIDED HOSES
2. IF USE WITH SPIRAL HOSES, HOSE FITTINGS SERIES NUMBER IS 15612-XX-XXRW.

**15611SW-RW**

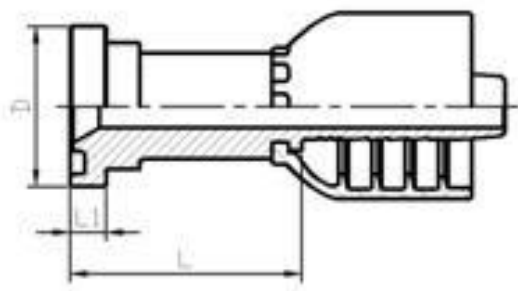
美制布锥管旋转外螺纹

NPT Swivel Male

代号 PART NO.	螺纹 E THREAD E	软管 HOSE BORE		尺寸 DIMENSIONS			
		公称内径 DN	标号 DASH	B	C	S1	S2
15611SW-04-04RW	NPTF 1/4"×18	6	4	27	49	17	17
15611SW-06-06RW	NPTF 3/8"×18	10	6	34.5	51	19	19
15611SW-08-08RW	NPTF 1/2"×14	13	8	38	57.5	22	22
15611SW-12-12RW	NPTF 3/4"×14	19	12	44	58.5	27	27
15611SW-16-16RW	NPTF 1"×11.5	25	16	50	70	36	36

注：1、表中代号用于编织软管。 2、如需用于缠绕软管代号改为 15612SW-XX-XXRW。

Note: 1. FOR USE WITH BRAIDED HOSES
2. IF USE WITH SPIRAL HOSES, HOSE FITTINGS SERIES NUMBER IS 15612SW-XX-XXRW.

**87311-RW**

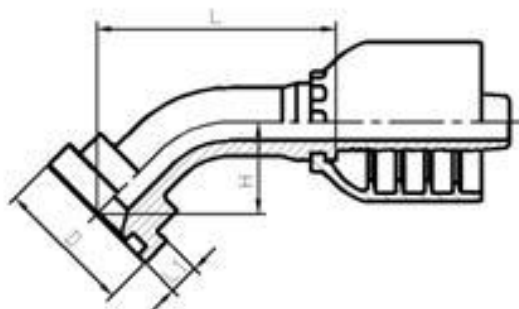
SAE 法兰 3000 PSI

SAE FLANGE 3000 PSI ISO 12151-3—SAE J516

代号	法兰型号	软管 HOSE BORE		尺寸 DIMENSIONS		
PART NO.	FLANGE SIZE	公称内径 DN	标号 DASH	L	D	L1
87311-08-08RW	1/2 "	13	8	46	30.2	6.73
87311-12-08RW	3/4 "	13	8	47	38.1	6.73
87311-12-10RW	3/4 "	16	10	48	38.1	6.73
87311-12-12RW	3/4 "	19	12	48	38.1	6.73
87311-12-16RW	3/4 "	25	16	49	38.1	6.73
87311-16-12RW	1 "	19	12	51	44.4	8
87311-16-16RW	1 "	25	16	52	44.4	8
87311-16-20RW	1 "	32	20	53	44.4	8
87311-20-16RW	1.1/4 "	25	16	57	50.8	8
87311-20-20RW	1.1/4 "	32	20	58	50.8	8
87311-24-20RW	1.1/2 "	32	20	68	60.3	8
87311-24-24RW	1.1/2 "	38	24	68	60.3	8
87311-32-24RW	2 "	38	24	66	71.4	9.53
87311-32-32RW	2 "	51	32	70	71.4	9.53

注：1、表中代号用于编织软管。 2、如需用于缠绕软管代号改为 87312-XX-XXRW。

Note: 1. FOR USE WITH BRAIDED HOSES
2. IF USE WITH SPIRAL HOSES, HOSE FITTINGS SERIES NUMBER IS 87312-XX-XXRW.

**87341-RW**

45°弯 SAE 法兰 3000PSI

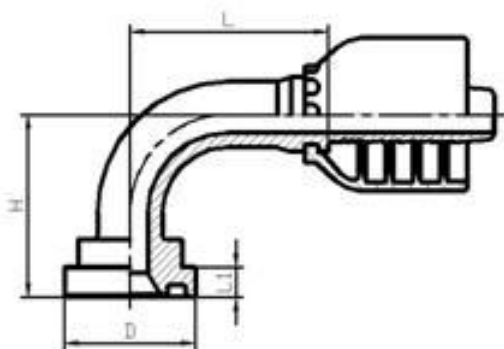
45°ELBOW SAE FLANGE 3000PSI ISO 12151-3—SAE J516

代号 PART NO.	法兰型号 FLANGE SIZE	软管 HOSE BORE		尺寸 DIMENSIONS			
		公称内径 DN	标号 DASH	L	H	D	L1
87341-08-08RW	1/2 "	13	8	55.5	23	30.2	6.73
87341-12-08RW	3/4 "	13	8	58.9	24	38.1	6.73
87341-12-10RW	3/4 "	16	10	64.5	24.8	38.1	6.73
87341-12-12RW	3/4 "	19	12	71	28	38.1	6.73
87341-12-16RW	3/4 "	25	16	78.7	29.3	38.1	6.73
87341-16-12RW	1 "	19	12	71	28	44.4	8
87341-16-16RW	1 "	25	16	82	29.4	44.4	8
87341-16-20RW	1 "	32	20	94.5	33.8	44.4	8
87341-20-16RW	1.1/4 "	25	16	77	30.7	50.8	8
87341-20-20RW	1.1/4 "	32	20	94.5	33.8	50.8	8
87341-24-20RW	1.1/2 "	32	20	94.5	33.8	60.3	8
87341-24-24RW	1.1/2 "	38	24	109.9	40.4	60.3	8
87341-32-24RW	2 "	38	24	109.9	40.4	71.4	9.53
87341-32-32RW	2 "	51	32	127	46.3	71.4	9.53

注：1、表中代号用于编织软管。 2、如需用于缠绕软管代号改为 87342-XX-XXRW。

Note: 1. FOR USE WITH BRAIDED HOSES

2. IF USE WITH SPIRAL HOSES, HOSE FITTINGS SERIES NUMBER IS 87342-XX-XXRW.

**87391-RW**

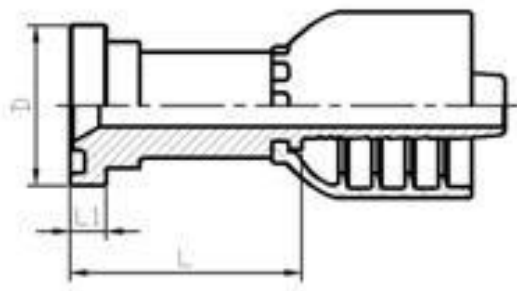
90°弯 SAE 法兰 3000PSI

90°ELBOW SAE FLANGE 3000PSI ISO 12151-3—SAE J516

代号	法兰型号	软管 HOSE BORE		尺寸 DIMENSIONS			
PART NO.	FLANGE SIZE	公称内径 DN	标号 DASH	L	H	D	L1
87391-08-08RW	1/2 "	13	8	44	47	30.2	6.73
87391-12-08RW	3/4 "	13	8	44	48	38.1	6.73
87391-12-10RW	3/4 "	16	10	55	53	38.1	6.73
87391-12-12RW	3/4 "	19	12	64	59	38.1	6.73
87391-12-16RW	3/4 "	25	16	74	66	38.1	6.73
87391-16-12RW	1 "	19	12	64	59	44.4	8
87391-16-16RW	1 "	25	16	74	66	44.4	8
87391-16-20RW	1 "	32	20	91.5	78.5	44.4	8
87391-20-16RW	1.1/4 "	25	16	74	66	50.8	8
87391-20-20RW	1.1/4 "	32	20	91.5	78.5	50.8	8
87391-24-20RW	1.1/2 "	32	20	91.5	78.5	60.3	8
87391-24-24RW	1.1/2 "	38	24	109	94	60.3	8
87391-32-24RW	2 "	38	24	109	94	71.4	9.53
87391-32-32RW	2 "	51	32	131	115	71.4	9.53

注：1、表中代号用于编织软管。 2、如需用于缠绕软管代号改为 87392-XX-XX。

Note: 1. FOR USE WITH BRAIDED HOSES
2. IF USE WITH SPIRAL HOSES, HOSE FITTINGS SERIES NUMBER IS 87392-XX-XXRW.

**87611-RW**

SAE 法兰 6000 PSI

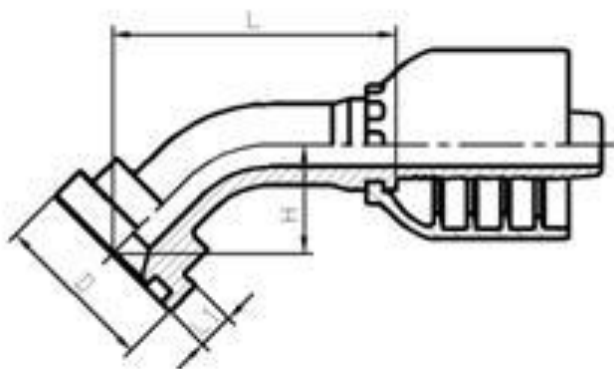
SAE FLANGE 6000 PSI ISO 12151-3—SAE J516

代号 PART NO.	法兰型号 FLANGE SIZE	软管 HOSE BORE		尺寸 DIMENSIONS		
		公称内径 DN	标号 DASH	L	D	L1
87611-08-08RW	1/2 "	13	8	47	31.7	7.75
87611-12-10RW	3/4 "	16	10	51	41.3	8.76
87611-12-12RW	3/4 "	19	12	51	41.3	8.76
87611-16-12RW	1 "	19	12	56	47.6	9.53
87611-16-16RW	1 "	25	16	57	47.6	9.53
87611-16-20RW	1 "	32	20	58	47.6	9.53
87611-20-16RW	1.1/4 "	25	16	65	54	10.29
87611-20-20RW	1.1/4 "	32	20	66	54	10.29
87611-24-20RW	1.1/2 "	32	20	75	63.5	12.57
87611-24-24RW	1.1/2 "	38	24	75	63.5	12.57
87611-32-24RW	2 "	38	24	85	79.4	12.57
87611-32-32RW	2 "	51	32	85	79.4	12.57

注：1、表中代号用于编织软管。 2、如需用于缠绕软管代号改为 87612-XX-XXRW。

Note: 1. FOR USE WITH BRAIDED HOSES

2. IF USE WITH SPIRAL HOSES, HOSE FITTINGS SERIES NUMBER IS 87612-XX-XXRW.

**87641-RW**

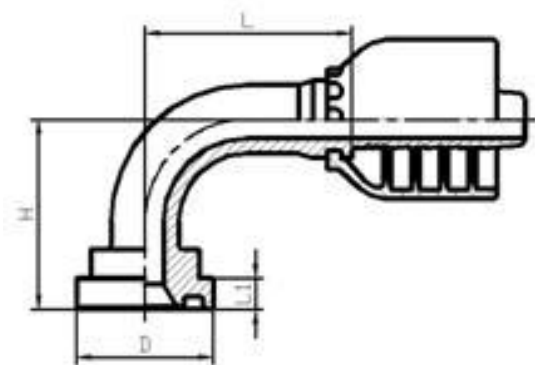
45°弯 SAE 法兰 6000PSI

45°ELBOW SAE FLANGE 6000PSI ISO 12151-3—SAE J516

代号 PART NO.	法兰型号 FLANGE SIZE	软管 HOSE BORE		尺寸 DIMENSIONS			
		公称内径 DN	标号 DASH	L	H	D	L1
87641-08-08RW	1/2 "	13	8	58	25.1	31.7	7.75
87641-12-10RW	3/4 "	16	10	67	27.8	41.3	8.76
87641-12-12RW	3/4 "	19	12	73.5	30.9	41.3	8.76
87641-16-12RW	1 "	19	12	76	33	47.6	9.53
87641-16-16RW	1 "	25	16	87	34.4	47.6	9.53
87641-16-20RW	1 "	32	20	99.5	39	47.6	9.53
87641-20-16RW	1.1/4 "	25	16	90	37.4	54	10.29
87641-20-20RW	1.1/4 "	32	20	103	41.5	54	10.29
87641-24-24RW	1.1/2 "	38	24	120	50.3	63.5	12.57
87641-32-24RW	2 "	38	24	125	56	79.4	12.57
87641-32-32RW	2 "	51	32	143	62	79.4	12.57

注：1、表中代号用于编织软管。 2、如需用于缠绕软管代号改为 87642-XX-XXRW。

Note: 1. FOR USE WITH BRAIDED HOSES
2. IF USE WITH SPIRAL HOSES, HOSE FITTINGS SERIES NUMBER IS 87642-XX-XXRW.

**87691-RW**

90°弯 SAE 法兰 6000PSI

90°ELBOW SAE FLANGE 6000PSI ISO 12151-3—SAE J516

代号	法兰型号	软管 HOSE BORE		尺寸 DIMENSIONS			
PART NO.	FLANGE SIZE	公称内径 DN	标号 DASH	L	H	D	L1
87691-08-08RW	1/2 "	13	8	44	48.5	31.7	7.75
87691-12-10RW	3/4 "	16	10	55	55	41.3	8.76
87691-12-12RW	3/4 "	19	12	63	63	41.3	8.76
87691-16-12RW	1 "	19	12	63	66	47.6	9.53
87691-16-16RW	1 "	25	16	74	73	47.6	9.53
87691-16-20RW	1 "	32	20	91.5	85.5	47.6	9.53
87691-20-16RW	1.1/4 "	25	16	74	77	54	10.29
87691-20-20RW	1.1/4 "	32	20	91.5	89.5	54	10.29
87691-24-20RW	1.1/2 "	32	20	91.5	94.5	63.5	12.57
87691-24-24RW	1.1/2 "	38	24	109	108	63.5	12.57
87691-32-24RW	2 "	38	24	109	112	79.4	12.57
87691-32-32RW	2 "	51	32	129	137	79.4	12.57

注：1、表中代号用于编织软管。 2、如需用于缠绕软管代号改为 87692-XX-XXRW。

Note: 1. FOR USE WITH BRAIDED HOSES

2. IF USE WITH SPIRAL HOSES, HOSE FITTINGS SERIES NUMBER IS 87692-XX-XXRW.